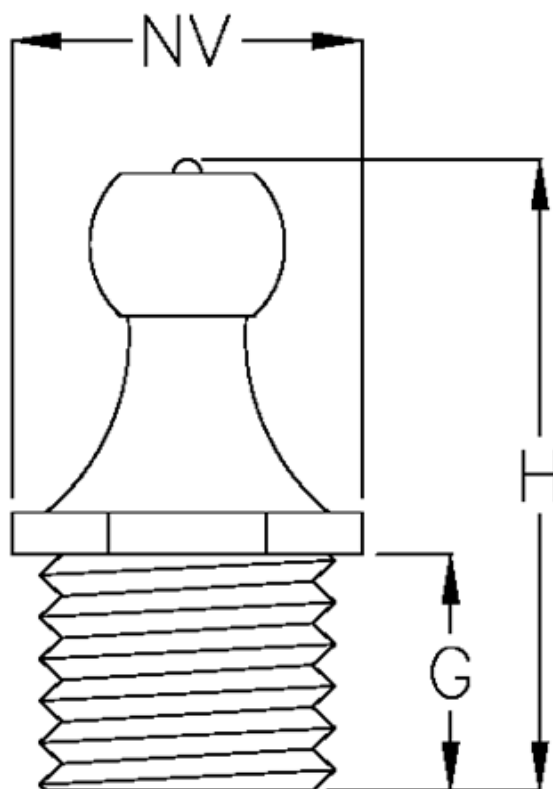


Article number: 5309010701

Description: KLEE Hydraulic lubricating nipple DIN 71412
H1 straight, M10x1,0 self cutting

Measures



G = 6

H = 16

NV = 8,9

Thread = M8x1,25